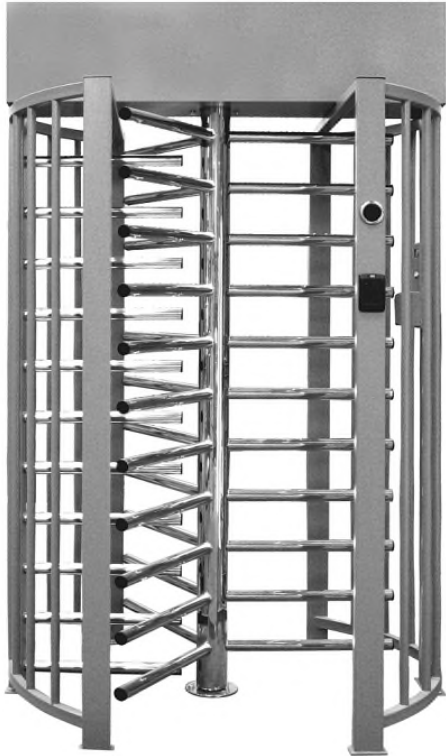


let's make life safer !

Full Height Turnstile



Sesame Full Height Turnstiles built for easy installation is available with different material option to suit most requirement and to match the aesthetic surrounding.

It is the most common entry control barrier system seen at high security areas; constructed to withstand abuse of mass traffic flow with an affordable budget and minimum maintenance cost.

Standard model - Non-motorised (hand push)
Motorised model available.

Available with **air-lock** function for higher security. Our registered air-lock function is an interlocking process; requiring two stage verifications to ensure only one person is passing.

CE certified; built for indoor and outdoor use.

PRINCIPLE OF OPERATION

In CLOSE position, the Electromagnetic Locking device prevent the rotor gear from rotating This keep the Turnstile in a close position, preventing unauthorized access

Upon receiving command signal authorizing access:

- The locking device release the rotor gear
- Pedestrian push the rotor to gain access
- The rotor move by 120°
- The turnstile lock at close position after pedestrian has passed

picture is for illustration only



Full Height Turnstile

let's make life safer !

POWER FAILURE

- When power goes OFF both directions are locked

ELECTRICAL SPECIFICATION

- Voltage: - AC 100 - 240V, 50/60Hz
- DC source 12 V
- Maximum power 50 Watt per pass

CHOICE OF MATERIAL AVAILABLE

- Powder coated housing with stainless steel rotor
- Brush stainless steel (304) housing and rotor
- Polished stainless steel (304) housing and rotor

PEDESTAL DIMENSION

- Height – 2350mm
- Length – 1207mm
- Width – 1420mm

BATTERY BACKUP 12V, 7AH

If supplied with backup battery, the battery will switch in during Mains AC failure and support normal operation for at least 2 hours.

WEIGHT

Per pedestal – 375kg

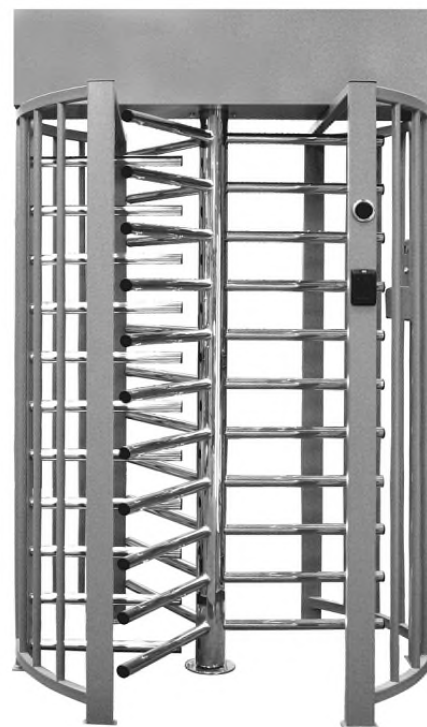
OPTIONAL ITEM AVAILABLE

- Manual unlock when no power
- Remote control unit
- Remote wireless control unit
- Backup battery 12V, 7Ah
- Protective canopy

COUNTRY OF MANUFACTURE

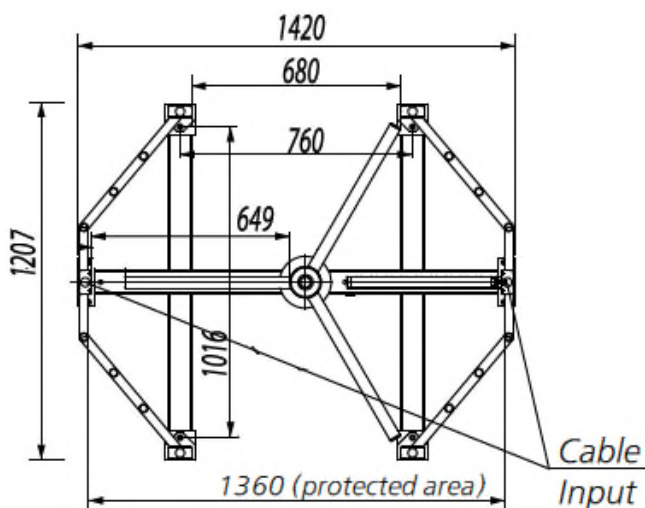
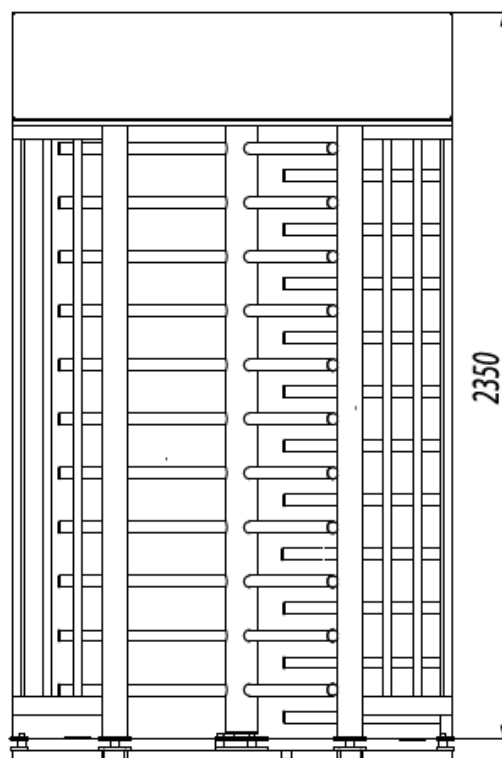
- Country of origin – Europe
- Country of manufacture – Europe

CE CERTIFIED



CONTROLLED BY

- reader/access control
- remote control manual/wireless



dimension subject to change during order

Sesame

TSD

the turning point in entry control