

Retract Barrier

let's make life safer !

Jetpan



Throughput
30 Per/Min



Passage
Width
500mm



The **JETPAN** is designed similar to most Flap Barrier. The only difference is its ability to support high glass panels. The high glass panel provide additional protection, prevent jump over, passing of subversive item across the barrier, etc. It act as a door as well as a pedestrian barrier. The glass panels barrier dimension can be manufactured according to customer's specification.

Elegant in appearance and yet meet the stringent specification of high security, safety and fast traffic throughput.

It is fitted with stainless steel housing with centrally position glass barrier.

The pedestal top is of stainless steel (as standard supply).

Optional choice for the pedestal top are: wood, glass or poly stone, to match the friendly environment and modern front lobby entrance.

CE

picture is for illustration only



TSD

Retract Barrier

let's make life safer !

POWER FAILURE

- When power goes OFF both directions are free

ELECTRICAL SPECIFICATION

- Voltage: - AC 100 - 240V, 50/60Hz
- DC source 12 V
- Maximum power 155 Watt per pass

MATERIAL

- Stainless steel housing and top (standard)
- Optional available: glass, wood or poly stone
- Servo Motor

PEDESTAL DIMENSION

- Height – 992mm
- Length – 1000mm
- Width – 290mm

BATTERY BACKUP 12V, 7AH

If supplied with backup battery, the battery will switch in during Mains AC failure and support normal operation for at least 2 hours.

WEIGHT

Per pedestal – 144kg

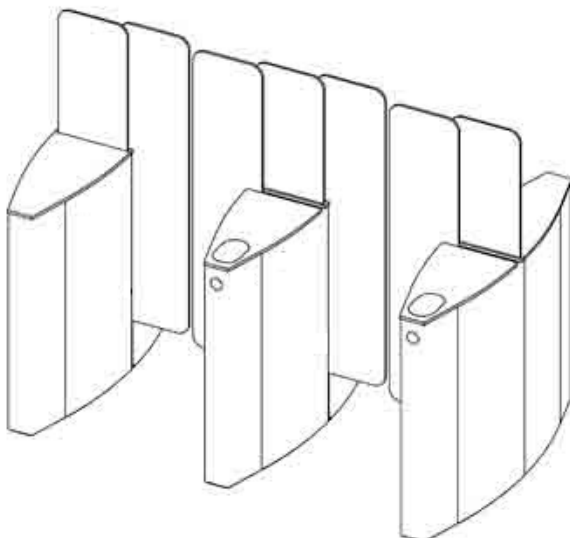
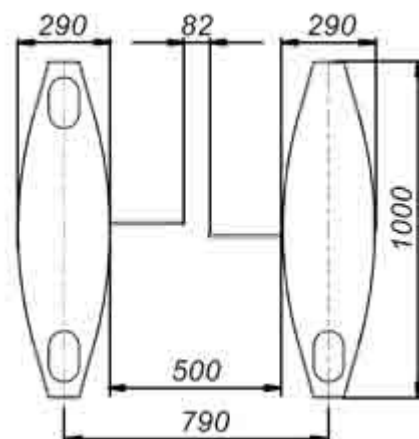
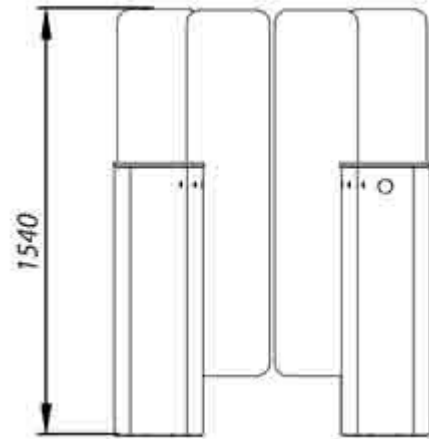
OPTIONAL ITEM AVAILABLE

- Remote control unit
- Remote wireless control unit
- Backup battery 12V, 7Ah

COUNTRY OF MANUFACTURE

- Country of origin – Europe
- Country of manufacture – Europe

CE CERTIFIED



dimension subject to change during order

Jetpan

ISI