

let's make life safer !

Full Height Turnstile



Sesame Lite Full Height Turnstiles is a light weight turnstile for easy installation and small packing for low cost transportation.

It is the most common entry control barrier system seen at high security areas; constructed to withstand abuse of mass traffic flow with an affordable budget and minimum maintenance cost.

Non-motorised – hand push to access.

Available with **air-lock** function for higher security. Our registered air-lock function is an interlocking process; requiring two stage verifications to ensure only one person is passing.

CE certified; built for indoor and outdoor use.

PRINCIPLE OF OPERATION

In CLOSE position, the Electromagnetic Locking device prevent the rotor gear from rotating
This keep the Turnstile in a close position, preventing unauthorized access

Upon receiving command signal authorizing access:

- The locking device release the rotor gear
- Pedestrian push the rotor to gain access
- The rotor move by 120°
- The turnstile lock at close position after pedestrian has passed



picture is for illustration only



Full Height Turnstile

let's make life safer !

POWER FAILURE

- When power goes OFF both directions are locked

ELECTRICAL SPECIFICATION

- Voltage: - AC 100 - 240V, 50/60Hz
- DC source 12 V
- Maximum power 50 Watt

MATERIAL

- Stainless Steel housing and rotor

PEDESTAL DIMENSION

- Height – 2170mm
- Length – 1420mm
- Width – 1140mm

BATTERY BACKUP 12V, 7AH

If supplied with backup battery, the battery will switch in during Mains AC failure and support normal operation for at least 2 hours.

WEIGHT

Per pedestal – 168kg

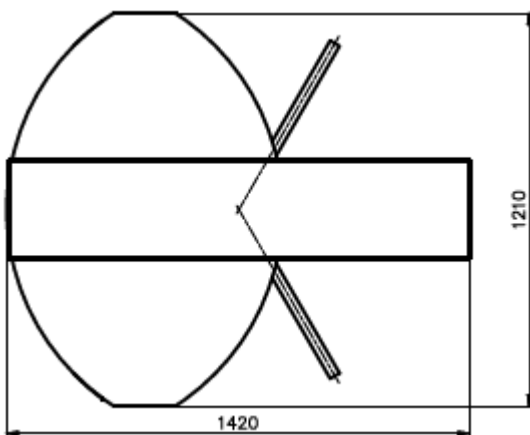
OPTIONAL ITEM AVAILABLE

- Manual unlock when no power
- Remote control unit
- Remote wireless control unit
- Backup battery 12V, 7Ah
- Protective canopy

COUNTRY OF MANUFACTURE

- Country of origin – Europe
- Country of manufacture – Europe

CE CERTIFIED

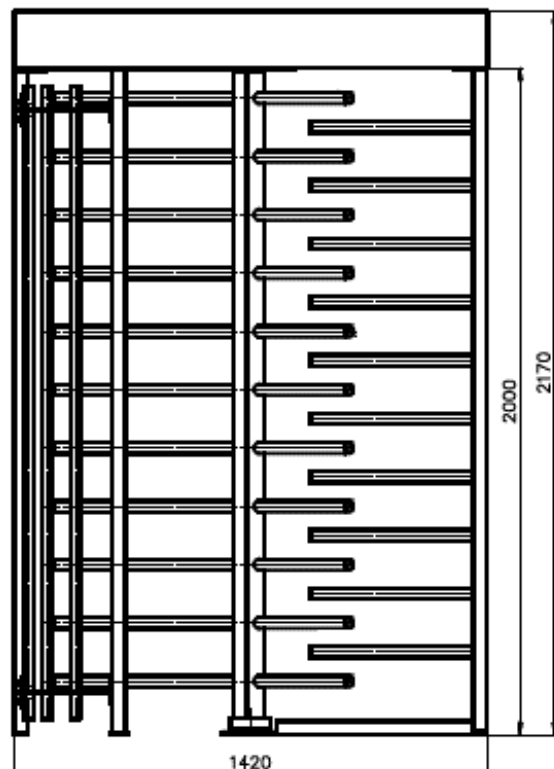


dimension subject to change during order



CONTROLLED BY

- reader/access control
- remote control manual/wireless



Sesame Lite

ISO

the turning point in entry control