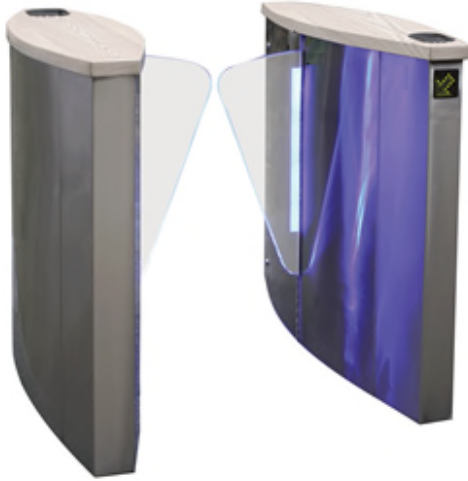


Flap Barrier

let's make life safer !



Throughput
30 Per/Min



Passage
Width
500mm



picture is for illustration only



The **Speed Blade** waist-high pedestrian flap barrier system is the most space saving model of our "FREEWAY" series.

Elegant in appearance and yet meet the stringent specification of high security, safety and fast traffic throughput.

It is fitted with stainless steel housing with centrally position glass barrier.

The pedestal top is of stainless steel (as standard supply).

Optional choice for the pedestal top are: wood, glass or poly stone, to match the friendly environment and modern front lobby entrance.

Bi-directional access and can operate in normally closed or normally open mode.

The glass barrier push into the housing to allow access.

In the event of power voltage failure both access directions are free.

Control activation by Access Control system or manually by remote unit.

Flap Barrier

let's make life safer !

POWER FAILURE

- When power goes OFF both directions are free

ELECTRICAL SPECIFICATION

- Voltage: - AC 100 - 240V, 50/60Hz
- DC source 12 V
- Maximum power 155 Watt per pass

MATERIAL

- Stainless steel housing and top (standard)
- Optional available: glass, wood or poly stone
- Servo Motor

PEDESTAL DIMENSION

- Height – 992mm
- Length – 1000mm
- Width – 290mm

BATTERY BACKUP 12V, 7AH

If supplied with backup battery, the battery will switch in during Mains AC failure and support normal operation for at least 2 hours.

WEIGHT

Per pedestal – 101kg

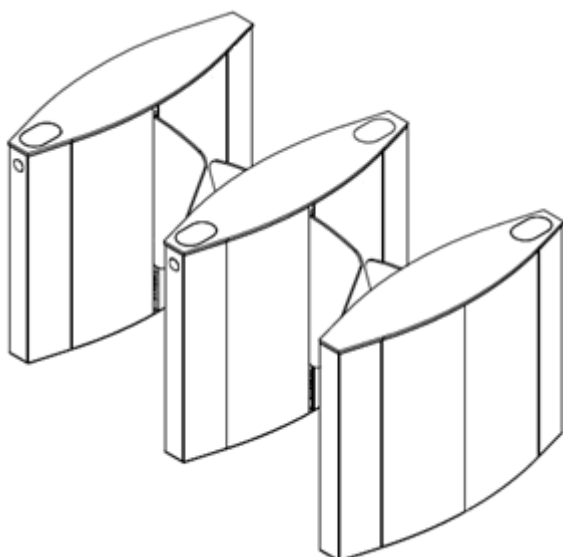
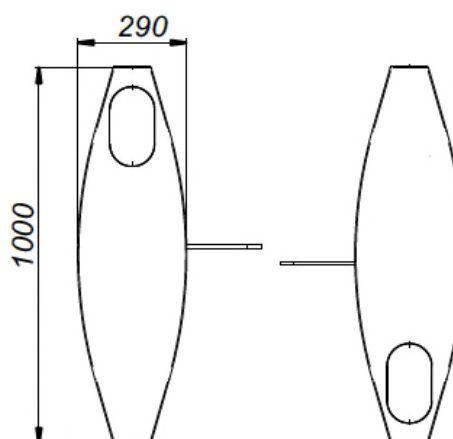
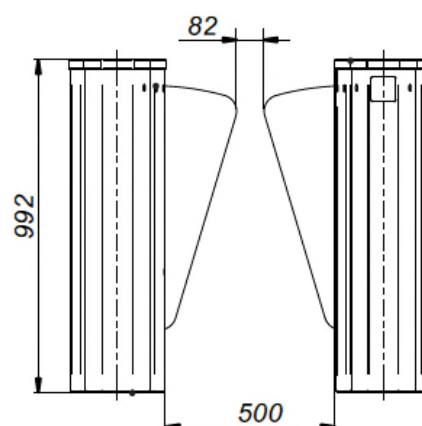
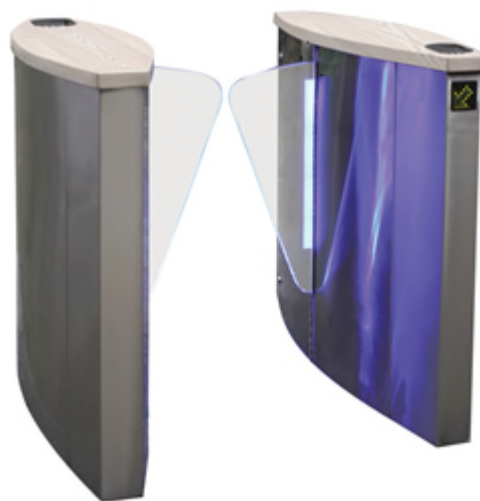
OPTIONAL ITEM AVAILABLE

- Remote control unit
- Remote wireless control unit
- Backup battery 12V, 7Ah

COUNTRY OF MANUFACTURE

- Country of origin – Europe
- Country of manufacture – Europe

CE CERTIFIED



dimension subject to change during order

Speed Blade

TSD